



Installation manual

Getinge Lancer Ultima model 810 LX / 815LX

GETINGE 

Le nom du modèle et le numéro de série doivent toujours être fournis lors de la commande de pièces de rechange ou lors de requêtes par téléphone ou par correspondance écrite:

.....

Numéro de série du laveur :

.....

Modèle du laveur :

.....

Date de révision de la notice : Mai 2020

Par souci d'amélioration constante de nos produits, GETINGE LANCER se réserve le droit d'apporter à leurs caractéristiques des modifications liées à des développements techniques

Dessins et photos non contractuels

NOTICE ORIGINALE

GETINGE LANCER
30, Bd de l'Industrie
Zone industrielle Pahin Concerto
31170 Tournefeuille - France
Internet: www.getinge.com

SUMMARY

1	GENERAL INFORMATION	7
1.1	INTRODUCTION TO THE INSTALLATION INSTRUCTIONS.....	7
1.2	COPYRIGHT	7
1.3	PRODUCT LIABILITY	7
1.4	SYMBOLS.....	7
2	SHIPPING PACKAGE AND HANDLING	8
2.1	PACKING.....	8
2.2	TRANSPORT.....	8
2.3	HANDLING.....	8
2.4	STORAGE.....	8
3	CONDITIONS OF USE / ENVIRONMENT	9
3.1	OPERATING ENVIRONMENT	9
3.2	AFTER INSTALLATION, MAKE SURE :	9
3.3	SAFETY SYMBOLS.....	9
3.4	UNPACKAGING AND SETTING IN PLACE.....	10
3.5	CONNECTIONS ON THE WASHER.....	11
3.6	WALL FIXATION- BASE CABINET OPTION(90010196).....	12
4	CHARACTERISTICS	13
4.1	WASHER DIMENSIONS STANDARD.....	13
4.2	WASHER DIMENSIONS BASE CABINET OPTION (90010196).....	14
5	HYDRAULIC CONNECTIONS	15
5.1	WATER CONNECTIONS.....	15
5.3	WATERS LOCATION.....	18
6	ELECTRICAL CONNECTION	19
6.1	WASHER WITH CE MARKING.....	19
6.2	WASHER WITH UL MARKING.....	20
6.3	WASHER WITH CE MARKING - DISCONNECT SWITCH LOCATION.....	21
6.4	DISCONNECT SWITCH LOCATION - WASHER WITH UL MARKING.....	22
7	DISCHARGE OF WASTE WATERS	23
7.1	STANDARD 810 LX.....	23
7.2	STANDARD 815LX OU 810LX CONDENSER OPTION (90020003)	24

7.3	STANDARD 810 LX + DRAIN COOLING OPTION (90010077).....	25
7.4	STANDARD 815LX OU 810LX OPTION CONDENSEUR (90020003) + DRAIN COOLING OPTION (90010077).....	26
7.5	810 LX BASE CABINET OPTION (90010196).....	27
7.6	STANDARD 815LX OR 810LX CONDENSER OPTION (90020003) +BASE CABINET OPTION (90010196).....	28
7.7	810 LX BASE CABINET OPTION (90010196)+ DRAIN COOLING OPTION (90010077)	29
7.8	STANDARD 815LX OU 810LX OPTION CONDENSEUR (90020003) +BASE CABINET OPTION (90010196)) + DRAIN COOLING OPTION (90010077).....	30
<hr/>		
8	DISCHARGE OF EXHAUST VAPOR.....	31
<hr/>		
8.1	EXTRACTION DIRECTLY INTO THE ROOM.....	31
8.2	EXTRACTION WITH AN EXHAUST HOOD.....	31
<hr/>		
9	WASHING PRODUCTS.....	32
<hr/>		
9.1	GETINGE LANCER LLL DETERGENT.....	32
9.2	GETINGE LANCER NLL NEUTRALISANT.....	32
<hr/>		
10	INSTALLATION OF THE WASHING PRODUCTS.....	33
<hr/>		
10.1	STANDARD.....	33
10.2	BASE CABINET OPTION (90010196).....	34
<hr/>		
11	PRECAUTIONS BEFORE USING YOUR WASHER.....	35
<hr/>		

1 GENERAL INFORMATION

1.1 INTRODUCTION TO THE INSTALLATION INSTRUCTIONS

These instructions are provided to help you with your electrical wiring and plumbing installation prior to receiving your washer. Follow them closely, they have been written with your best interests in mind.

This document also indicates the dimensions of the washer so that you can check the access to the area where the machine will be installed.

1.2 COPYRIGHT

All rights reserved.

GETINGE LANCER pays close attention to all technical developments and continuously seeks to improve its products and services in order to provide an adequate response to the needs of its clients. GETINGE LANCER therefore reserves the right to modify its documentation without prior notice.

1.3 PRODUCT LIABILITY

This washer must be used under normal operating conditions as indicated in the GETINGE LANCER user manual supplied with the machine.

Failure to follow these recommendations may result in material damage or personal injury and will render null and void any warranty or liability on GETINGE LANCER part.

Liability will not be accepted in the event of incorrect use or modification of the washer without the prior agreement of GETINGE LANCER.

1.4 SYMBOLS

This manual contains some extremely important warnings, instructions and notices, so the following symbols have been used to draw your attention to them.



SAFETY WARNING FOR PERSONS AND EQUIPMENT



ELECTRICAL DANGER

2 SHIPPING PACKAGE AND HANDLING

2.1 PACKING

The washer is protected by a plastic dust cover, circled on a wooden pallet and covered with a wooden box.

2.2 TRANSPORT

Transport indicators :

- Label « FRAGILE »
- Label « HAUT ET BAS » - « UP AND DOWN »

For machines transported by air or by sea, packaging has a tilt indicator (« TIP AND TELL ») that provides a visual indication if the machine has not remained upright during transit.

2.3 HANDLING



DO NOT USE A FORKLIFT TO PUSH THE PACKAGE

USE A FORK LIFT OR PALLET JACK TO MOVE THE WASHER



BEFORE MOVING THE WASHER, CHECK THAT THE FORK LIFT AND/OR PALLET JACK ARE CAPABLE OF RAISING THE LOAD (THE WEIGHT IS WRITTEN ON THE PACKAGE OR THE SHIPPING DOCUMENTATION).

2.4 STORAGE

The washer-dryer must be stocked in a dry, sheltered area whose room temperature will not be lower than 0°C (32°F) and not exceed 50°C (122°F).



IF THE WASHER-DRYER IS NOT USED FOR A PERIOD OF 3 WEEKS OR MORE, IT IS RECOMMENDED TO REMOVE THE CHEMICAL CONTAINERS AND FLUSH THE CHEMICAL LINES WITH WATER. CONTACT GETINGE LANCER FOR ASSISTANCE.

3 CONDITIONS OF USE / ENVIRONMENT

3.1 OPERATING ENVIRONMENT

The washer is designed to be used in the following operating environment:

- an indoor environment.
- at a maximum elevation of 2,000 meters (6,562 ft).
- at temperatures between 5°C and 35°C (41°F and 95°F).
- at a maximum of relative humidity of 80% up to 31°C (88°F) with a linear drop of 50% at 40°C (104°F).
- mains voltage fluctuations must not be greater than $\pm 10\%$ of the rated voltage.
- normal level of transient overvoltages in the mains supply: category II of IEC 60364-4-443.

3.2 AFTER INSTALLATION, MAKE SURE :

- all parts have been installed as per the installation instructions
- all screws have been fully tightened.
- the parts have no sharp edges that could injure users.
- all hoses, pipes, and connections are complete and fault-free.

3.3 SAFETY SYMBOLS



Mandatory use of safety glasses or goggles



Mandatory use of safety gloves

3.4 UNPACKAGING AND SETTING IN PLACE

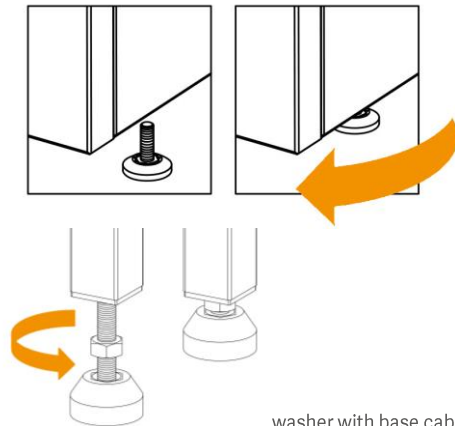


THIS MACHINE MUST BE INSTALLED AND USED ACCORDING TO THE INSTRUCTIONS CONTAINED WITHIN THIS DOCUMENT. INCORRECT INSTALLATION OR USAGE MAY CAUSE THE PROTECTION PROVIDED BY THIS EQUIPMENT TO BE IMPAIRED.



A TRAINED GETINGE LANCER SERVICE TECHNICIAN SHOULD PERFORM THE FIRST TIME START-UP.

- Unscrew the wooden box
- Remove the pockets containing the connection hoses and documentation, located on the top of the machine
- Remove the plastic dust cover
- Move the machine to its final location; adjust the feet to level the machine.
- Remove the protective cardboard located inside the machine on the door



washer with base cabinet

Environmental protection / Disposal of packing material

The packaging has protected your washer during transport. The packing materials are environmentally friendly and recyclable. To help protect nature, dispose of the packing materials in an environmentally friendly way.

The packaging can be separated and reused in the following manner :

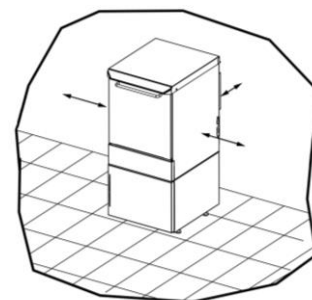
- the wooden pallet and wood panels materials can be reused (pallet recycling, grinding...) or recovered for energy (heating)
- the plastic protection can be used for energy
- cardboard materials can be reused (cardboard boxes...)

Installation area

(only washer with base cabinet option)

The washer-dryer must be installed in the room allow sufficient space for easy replacement and periodic inspections

Minimum distance of 460mm (18.11")

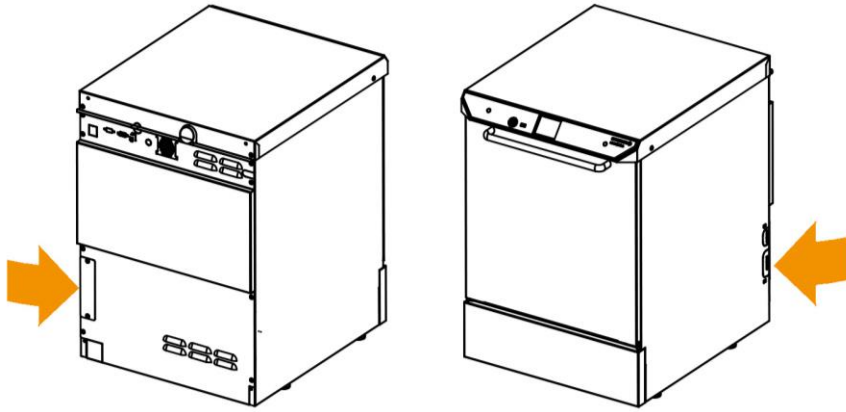


washer with base cabinet

3.5 CONNECTIONS ON THE WASHER

Remove the rear washer bodywork.

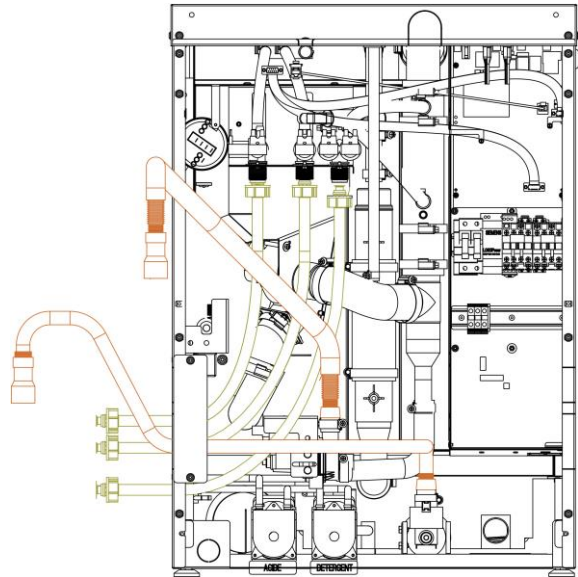
Cut pre-cut plates for the passage of connections (according to option), areas indicated by arrows.



Place the protection around the cutouts to protect hoses and cables.

Connect :

- waters hoses (green), the connection may be different depending options chosen, refer to the labels stuck to the machine
- drain hoses (orange), drain is mounted on factory. It is necessary to connect condenser drain if your washer is equipped (optional on 810 LX and on standard on 815 LX).



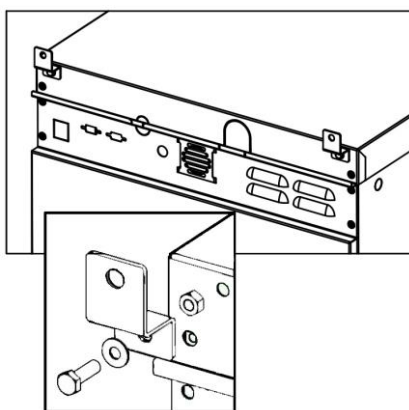
Connect waters hoses (green) and Pass hoses and electrical cable at the pre-cut level to connect to the services then reassemble the bodywork.

3.6 WALL FIXATION-BASE CABINET OPTION(90010196)

If your washer is equipped with a base cabinet, it is recommended to fix the washer against the wall. You can choose, according to the space available around the washer, the location of the fixing plate to the wall : on the side or on top of the cover .

MOUNTING OF THE PLATES :

- Take the two fixing plates out of the chamber,
- Install the plates on the cover (*see drawing below*),
- Fix the plates to the wall.



4 CHARACTERISTICS

Heat loss : 600 Kcal/h (2380 BTU/h)

Noise level : 60 dBA according to Machinery Directive 2006/42/EC

4.1 WASHER DIMENSIONS STANDARD

Overall dimensions

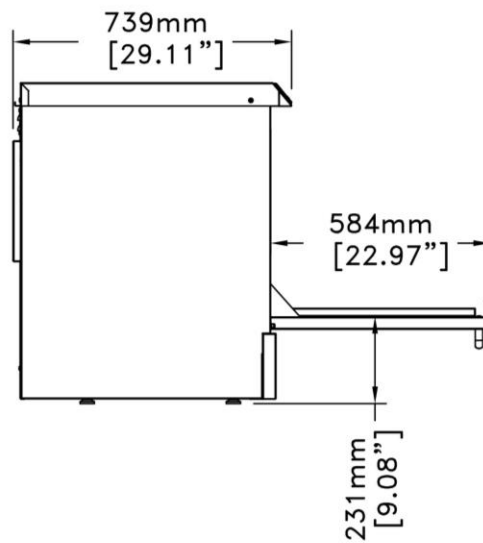
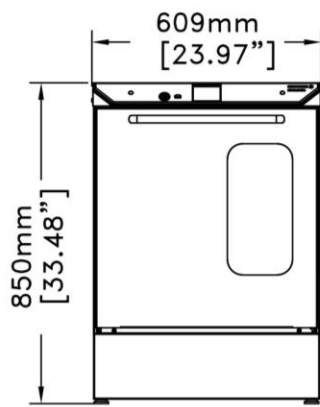
Height 850 mm (33.46 ")
 Width 609 mm (23.97 ")
 Depth 739 mm (29.09 ")

Weight 85kg (187 lbs)

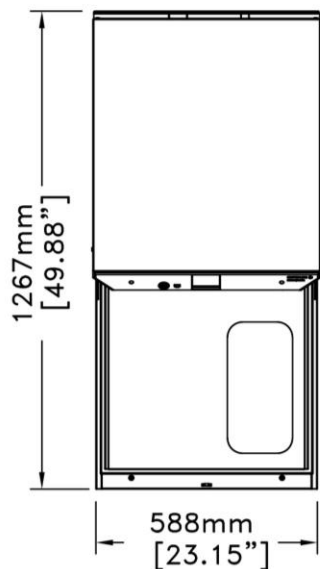
Chamber dimensions

Height 498 mm (19.60 ")
 Width 535 mm (21.06 ")
 Depth 520 mm (20.47 ")

Dimensions tolerances : +/- 5mm (+/- 0.2")



GLASS DOOR OPTION (900100653)



4.2 WASHER DIMENSIONS BASE CABINET OPTION (90010196)

Overall dimensions

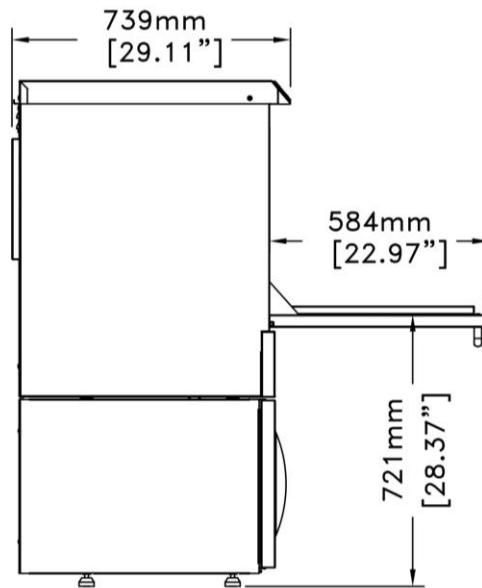
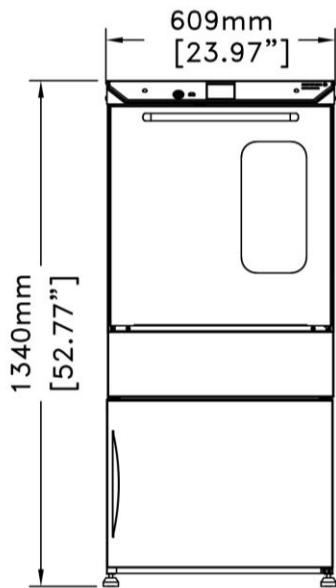
Height 1340 mm (52.77")
 Width 609 mm (23.97")
 Depth 739 mm (29.09")

Weight 111 kg (243 lbs)

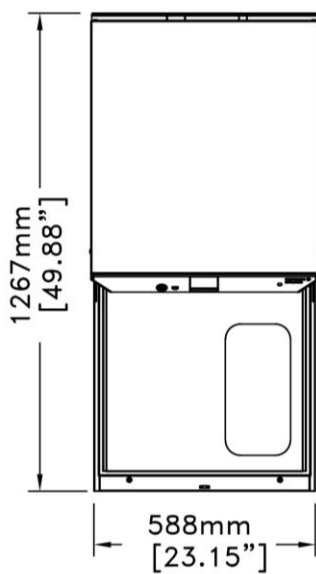
Chamber dimensions

Height 498 mm (19.60")
 Width 535 mm (21.06")
 Depth 520 mm (20.47")

Dimensions tolerances : +/- 5mm (+/- 0.2")



GLASS DOOR OPTION (900100653)



5 HYDRAULIC CONNECTIONS

5.1 WATER CONNECTIONS

Flush water supply lines prior to connecting to the washer. Turn off water supply valves and drain the water supply hoses.

The water supply hoses required to connect the washer to the various water inlets are provided with the machine.

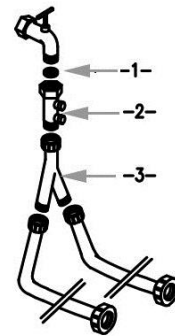
The maximum length of all connecting lines is 2,000mm (78.73") and a color-code identification label is attached to each water supply hose.

WASHER WITH CE MARKING

The cold water inlet is equipped with backflow prevention devices which must be connected to the water supply.

Make the connections by fitting the strainer filters between the backflow prevention device and the threaded connection at the water supply hose.

- 1- STRAINER FILTER
- 2- BACKFLOW PREVENTION DEVICE
- 3- CONNECTING Y

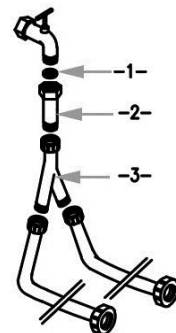


WASHER WITH UL MARKING

The cold water inlets is equipped with thread size adapters which must be connected to the water supply.

Make the connections by fitting the strainer filters between the thread size adapter and the threaded connection at the water supply hose.

- 1- STRAINER FILTER
- 2- THREAD SIZE ADAPTER (IF NECESSARY)
- 3- CONNECTING Y



All connection are made on the back of the washer and are marked with identification labels.

In order to help you during the hydraulic connections of your washer, you will find in sections hereafter, the different colors of labels present on different connecting hoses and connecting fittings located on the bodywork of the washer.

The water supply valves must be located within the area shown on the drawing on page 18.

COLD WATER:**STANDARD**

A valve with a male threaded nozzle, 20/27 diameter, (3/4" hose thread) is required.

Flow rate :	20 l/mn (5.3GPM) mini.
Pressure :	200 kPa (2 bars or 29 PSI) mini. and 600 kPa (6 bars or 87 PSI) maxi.
Temperature :	10°C - 25°C (50 °F - 77°F)
pH :	6.5 - 9
Hardness :	25 °f maxi.
	14 °d maxi.
	14 gpg maxi
	239 ppm maxi

IF CONDENSER - OPTION ON 810 LX (90020003) / STANDARD ON 815 LX***DRAIN COOLING OPTION (90010077)***

Cold water source temperature should be less than 25°C (77°F).

A valve with a threaded male nozzle, 20/27 diameter (3/4" hose thread) is required.

Flow rate :	20 l/mn (5.3GPM) mini.
Pressure :	200 kPa (2 bars or 29 PSI) mini. and 600 kPa (6 bars or 87 PSI) maxi.
Temperature :	10°C - 25°C (50 °F - 77°F)
pH :	6.5 - 9
Hardness :	25 °f maxi.
	14 °d maxi.
	14 gpg maxi
	239 ppm maxi

PURIFIED WATER:**STANDARD**

A valve with a threaded male nozzle, 20/27 diameter (3/4" hose thread) is required.

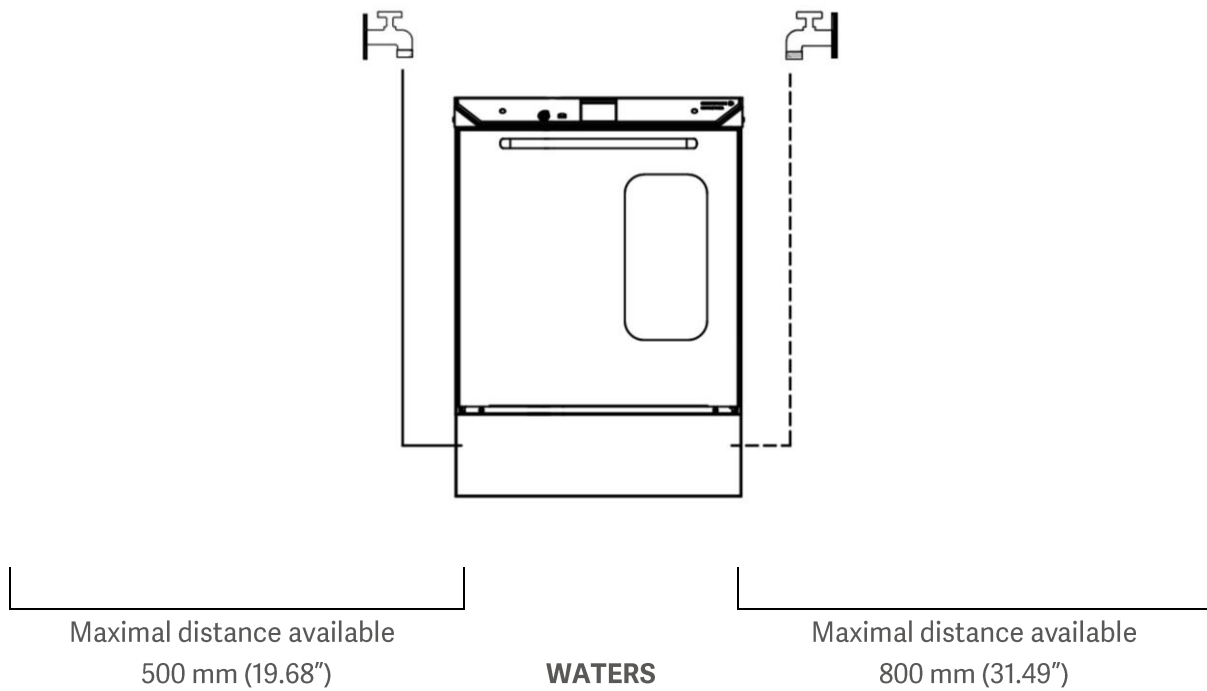
Flow rate :	20 l/mn (5.3GPM) mini.	
Pressure :	200 kPa (2 bars or 29 PSI) mini. and 600 kPa (6 bars or 87 PSI) maxi.	
Temperature :	10°C - 25°C (50 °F - 77°F)	
pH :	5 – 7.5	
Hardness :	4 °f < softened water < 8 °f	Purified water < 4 °f
	2 °d < softened water < 4 °d	Purified water < 2 °d
	14 gpg < softened w. < 28 gpg	Purified water < 14 gpg
	239 ppm < softened w. < 479 ppm	Purified water < 239 ppm

INTERMEDIATE PRESSURE PURIFIED SUPPLY OPTION (01060206)

A valve with a threaded male nozzle, 20/27 diameter (3/4" hose thread) is required.

Flow rate :	20 l/mn (5.3GPM) mini.	
Pressure :	200 kPa (2 bars ou 29 PSI) maxi.	
Temperature :	10°C - 25°C (50 °F - 77°F)	
pH :	5 – 7.5	
Hardness :	4 °f < softened water < 8 °f	Purified water < 4 °f
	2 °d < softened water < 4 °d	Purified water < 2 °d
	14 gpg < softened w. < 28 gpg	Purified water < 14 gpg
	239 ppm < softened w. < 479 ppm	Purified water < 239 ppm

5.3 WATERS LOCATION



WATERS MUST BE LOCATED IN THIS AREA.

Services can be installed to the left, to the right or behind the machine

Only one connection point is required



DO NOT BEND OR CONSTRICT THE TUBE AS THIS COULD STOP OR SLOW DOWN THE FLOW OF WATER.

CHECK THAT THE SCREWS AT BOTH ENDS OF THE TUBE ARE TIGHTENED CORRECTLY TO PREVENT WATER LEAKAGE.



ENSURE THAT THE MINIMUM CLEARANCE REQUIREMENT IS MAINTAINED BETWEEN THE WASHER AND UTILITY CONNECTION POINT.

6 ELECTRICAL CONNECTION



BEFORE CARRYING OUT ANY WORK ON THE WASHER, MAKE SURE IT IS SWITCHED OFF AT THE ELECTRICAL DISCONNECT SWITCH.

ELECTRICAL SUPPLY :



CHECK FOR CORRECT VOLTAGE SUPPLY AT THE ELECTRICAL PANEL BEFORE MAKING ANY ELECTRICAL CONNECTIONS.



BEFORE ANY TEST, CHECK THE ROTATION DIRECTION OF THE RECYCLING PUMP.

6.1 WASHER WITH CE MARKING

ELECTRICAL DISCONNECT SWITCH :



THE FOLLOWING EQUIPMENT MUST BE EASILY AND QUICKLY ACCESSIBLE NEAR THE WASHER : A DISCONNECTING SWITCH LOCKABLE IN THE OPEN (OFF) POSITION AND A DIFFERENTIAL MAGNETIC-THERMAL CIRCUIT-BREAKER WITH TYPE D TRIPPING CURVE.

STANDARD

Total power to be supplied	Supply voltage	Consumption	Overcurrent protective device size
7 kW	400V Tri+N+T / 50Hz	11 A / phase	16 A / phase

STANDARD

Total power to be supplied	Supply voltage	Consumption	Overcurrent protective device size
7 kW	220-240V Tri +T / 50Hz	18 A / phase	20 A / phase

STANDARD

Total power to be supplied	Supply voltage	Consumption	Overcurrent protective device size
7 kW	200-208V Tri +T / 50Hz	21 A / phase	25 A / phase

STANDARD

Total power to be supplied	Supply voltage	Consumption	Overcurrent protective device size
7 kW	220-240 Mono+T / 50Hz	31 A / phase	40 A / phase

6.2 WASHER WITH UL MARKING



ELECTRICAL SUPPLY CABLE CONNECTION AND ROUTING :

THE ELECTRICAL CONNECTION IS MADE AT THE SCREW-TYPE TERMINAL BLOCK LOCATED BEHIND THE LOWER FRONT PANEL OF THE MACHINE USING WIRE SUITABLE FOR AT LEAST 75°C. THE TERMINALS MUST BE SECURELY TIGHTENED TO THE POWER SUPPLY WIRES.

THE POWER SUPPLY CABLE SHOULD ENTER THROUGH THE COMPRESSION GLAND ON LEFT-HAND SIDE OF THE WASHER.

CARE MUST BE TAKEN TO PREVENT THE WIRE FROM CONTACTING ANY MOVING COMPONENTS WITHIN THE MACHINE.



ELECTRICAL PROTECTION DEVICE :

A CIRCUIT BREAKER OR FUSES MUST PROVIDE PROTECTION FROM OVERCURRENT ELECTRICAL CONDITIONS. THE CIRCUIT BREAKER OR FUSES MUST BE LABELLED AS THE PROTECTION DEVICE FOR THE GETINGE LANCER WASHER. THE OVERCURRENT PROTECTIVE DEVICE SIZE REQUIRED FOR THIS MACHINE IS SPECIFIED BELOW OR MUST MEET LOCAL ELECTRICAL CODES.

STANDARD

Total power to be supplied	Supply voltage	Consumption	Overcurrent protective device size
7 kW	220-240V Tri +T / 60Hz	18 A / phase	20 A / phase

STANDARD

Total power to be supplied	Supply voltage	Consumption	Overcurrent protective device size
7 kW	200-208V Tri +T / 60Hz	20 A / phase	25 A / phase

STANDARD

Total power to be supplied	Supply voltage	Consumption	Overcurrent protective device size
7 kW	220-240V Mono +T / 60Hz	31 A / phase	35 A / phase

STANDARD

Total power to be supplied	Supply voltage	Consumption	Overcurrent protective device size
7 kW	200-208V Mono +T / 60Hz	34 A / phase	40 A / phase

STANDARD 815LX ONLY

Total power to be supplied	Supply voltage	Consumption	Overcurrent protective device size
2 kW	120V Mono +T / 60Hz	17 A / phase	20 A / phase
2.4 kW	120V Mono +T / 60Hz 4 heaters configuration	20 A / phase	25 A / phase

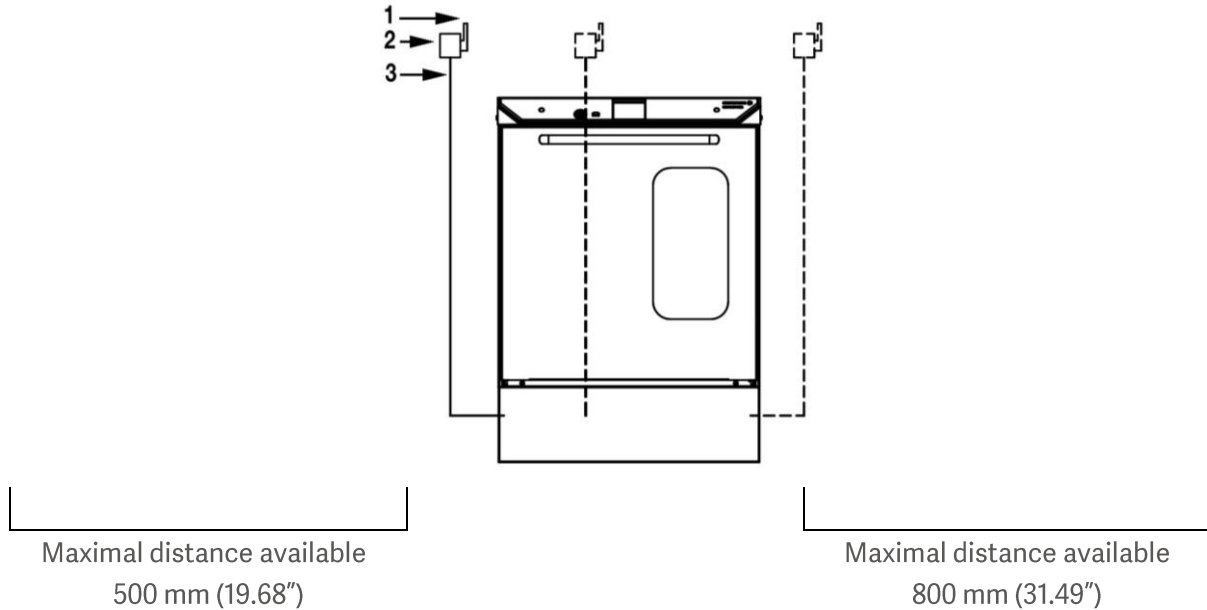
6.3 WASHER WITH CE MARKING - DISCONNECT SWITCH LOCATION



ELECTRICAL DISCONNECT SWITCH :

THE FOLLOWING EQUIPMENT MUST BE EASILY AND QUICKLY ACCESSIBLE NEAR THE WASHER : A DISCONNECTING SWITCH LOCKABLE IN THE OPEN (OFF) POSITION AND A DIFFERENTIAL MAGNETIC-THERMAL CIRCUIT-BREAKER WITH TYPE D TRIPPING CURVE.

- 1- ELECTRICAL DISCONNECT SWITCH (*PROVIDED BY OTHERS*)
- 2- CIRCUIT BREAKER OR FUSES (*PROVIDED BY OTHERS*)
- 3- ELECTRICAL CABLE (PRESTATION GETINGE LANCER)



DISCONNECT SWITCH MUST BE LOCATED IN THIS AREA.

Disconnect switch can be installed to the left, to the right or behind the machine

Only one connection point is required

Note : A plug connection is preferred for ease of servicing.



ENSURE THAT THE MINIMUM CLEARANCE REQUIREMENT IS MAINTAINED BETWEEN THE WASHER AND UTILITY CONNECTION POINT.

6.4 DISCONNECT SWITCH LOCATION - WASHER WITH UL MARKING

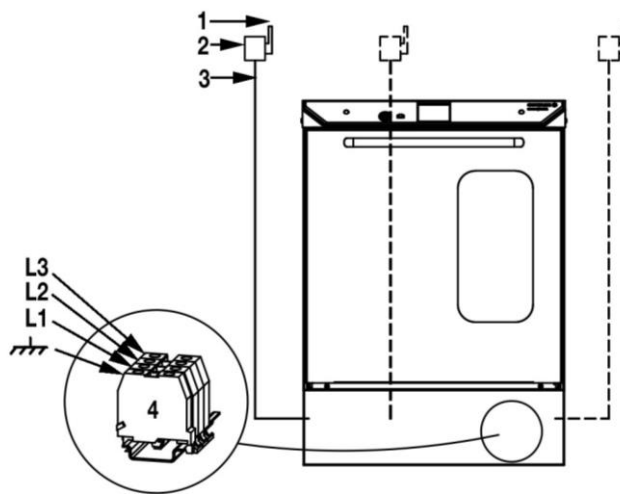


ELECTRICAL DISCONNECT SWITCH :

THE FOLLOWING EQUIPMENT MUST BE EASILY AND QUICKLY ACCESSIBLE NEAR THE WASHER : A DISCONNECTING SWITCH LOCKABLE IN THE OPEN (OFF) POSITION.



DURING THE INSTALLATION, YOU WILL SEE BLUE WIRES IN THE ELECTRICAL HARNESS. THESE WIRES ARE NOT APPROPRIATE TO THE UL / CSA STANDARDS AND CANNOT BE USED UNDER THESE LABELS.



- 1 ELECTRICAL DISCONNECT SWITCH (*PROVIDED BY OTHERS*)
- 2 CIRCUIT BREAKER OR FUSES (*PROVIDED BY OTHERS*)
- 3 ELECTRICAL CABLE (*PROVIDED BY OTHERS*)
- 4 TERMINAL BLOCK (L3 ONLY ON THREE PHASE MACHINE)



ENSURE THAT THE MINIMUM CLEARANCE REQUIREMENT IS MAINTAINED BETWEEN THE WASHER AND UTILITY CONNECTION POINT.

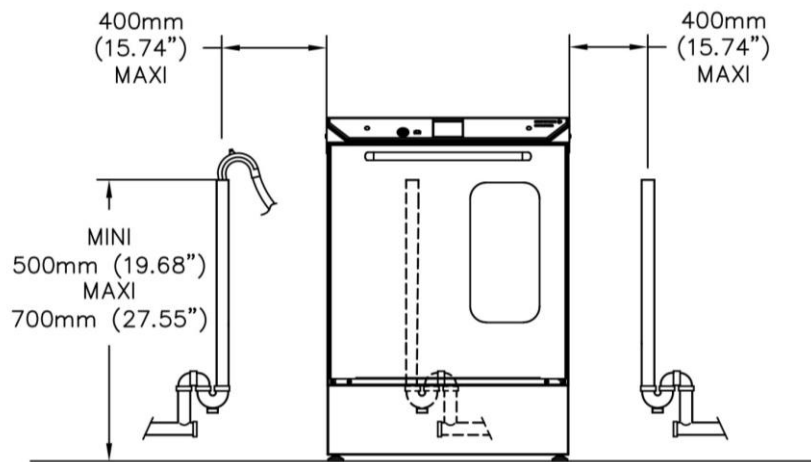
7 DISCHARGE OF WASTE WATERS

7.1 STANDARD 810 LX

DRAINING

Provide a fixed standpipe and plumbing trap with :

- Height above floor level : from 500 mm (19.68") minimum to 700 mm (27.55") maximum.
- Temperature up to 95°C (203°F).
- With inner tube \varnothing 40mm (1.6") and capable of accepting a flow of 40 l/min (10.6 GPM).



Maximal distance available

400 mm (15.75")

DRAINING

Maximal distance available

400 mm (15.74")

THE DISCHARGE TUBE MUST BE LOCATED IN THIS AREA.

The discharge tube can be installed to the left, to the right or behind the machine

Only one connection point is required



DO NOT BEND OR CONSTRICT THE TUBE AS THIS COULD STOP OR SLOW DOWN THE FLOW OF WATER.



ENSURE THAT THE MINIMUM CLEARANCE REQUIREMENT IS MAINTAINED BETWEEN THE WASHER AND UTILITY CONNECTION POINT.

7.2 STANDARD 815LX OU 810LX CONDENSER OPTION (90020003)

DRAINING

Provide 2 fixed standpipes and plumbing trap with :

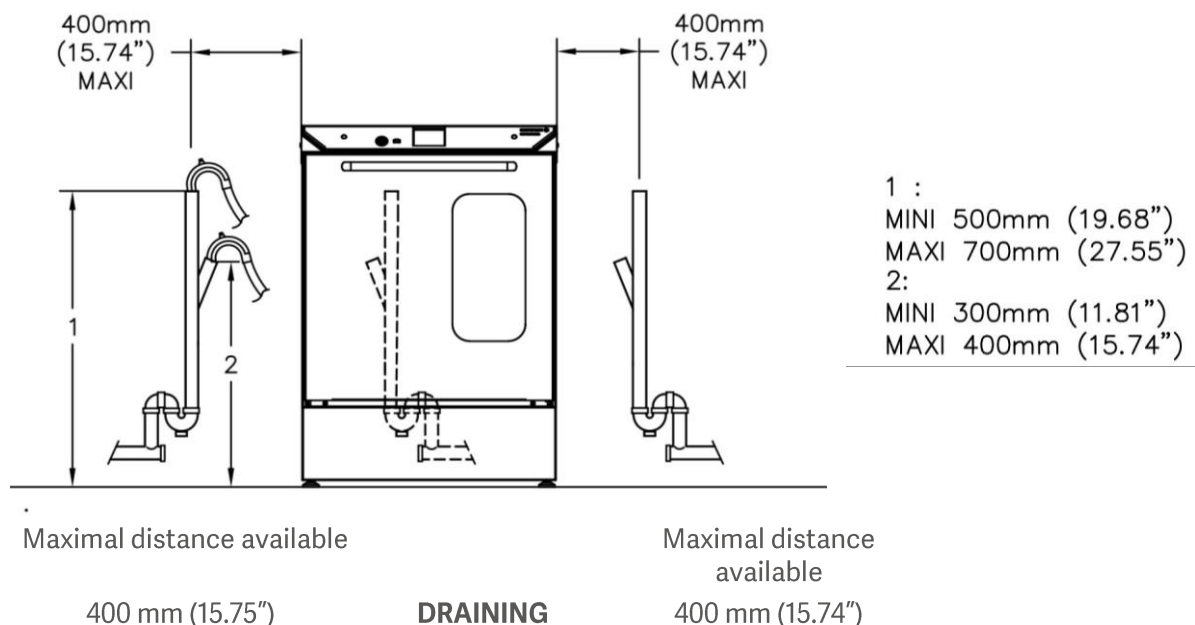
- Height above floor level : from 500 mm (19.68") minimum to 700 mm (27.55") maximum.
- Temperature up to 95°C (203°F).
- With inner tube Ø 40mm (1.6") and capable of accepting a flow of 40 l/min (10.6 GPM).

CONDENSER DRAINING

Provide a fixed standpipe and plumbing trap with :

- Height above floor level : from 300 mm (11.81") minimum to 400 mm (15.74") maximum.
- Temperature up to 95°C (203°F).

With inner tube Ø 40mm (1.6") and capable of accepting a flow of 40 l/min (10.6 GPM).



THE DISCHARGE TUBE MUST BE LOCATED IN THIS AREA.

The discharge tube can be installed to the left, to the right or behind the machine

Only one connection point is required



DO NOT BEND OR CONSTRICT THE TUBE AS THIS COULD STOP OR SLOW DOWN THE FLOW OF WATER.



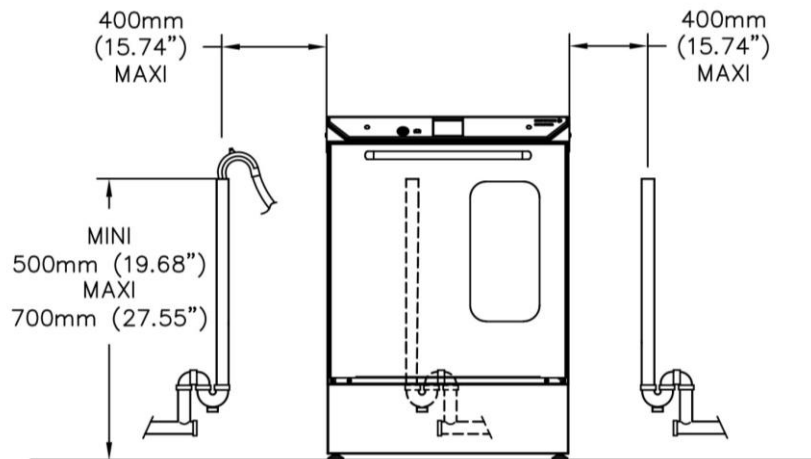
ENSURE THAT THE MINIMUM CLEARANCE REQUIREMENT IS MAINTAINED BETWEEN THE WASHER AND UTILITY CONNECTION POINT.

7.3 STANDARD 810 LX + DRAIN COOLING OPTION (90010077)

DRAINING

Provide a fixed standpipe and plumbing trap with :

- Height above floor level : from 500 mm (19.68") minimum to 700 mm (27.55") maximum.
- Temperature up to 60°C (140°F).
- With inner tube Ø 40mm (1.6") and capable of accepting a flow of 40 l/min (10.6 GPM).



Maximal distance available

Maximal distance available

400 mm (15.75")

DRAINING

400 mm (15.74")

THE DISCHARGE TUBE MUST BE LOCATED IN THIS AREA.

The discharge tube can be installed to the left, to the right or behind the machine

Only one connection point is required



DO NOT BEND OR CONSTRICT THE TUBE AS THIS COULD STOP OR SLOW DOWN THE FLOW OF WATER.



ENSURE THAT THE MINIMUM CLEARANCE REQUIREMENT IS MAINTAINED BETWEEN THE WASHER AND UTILITY CONNECTION POINT.

7.4 STANDARD 815LX OU 810LX OPTION CONDENSEUR (90020003) + DRAIN COOLING OPTION (90010077)

DRAINING

Provide 2 fixed standpipes and plumbing trap with :

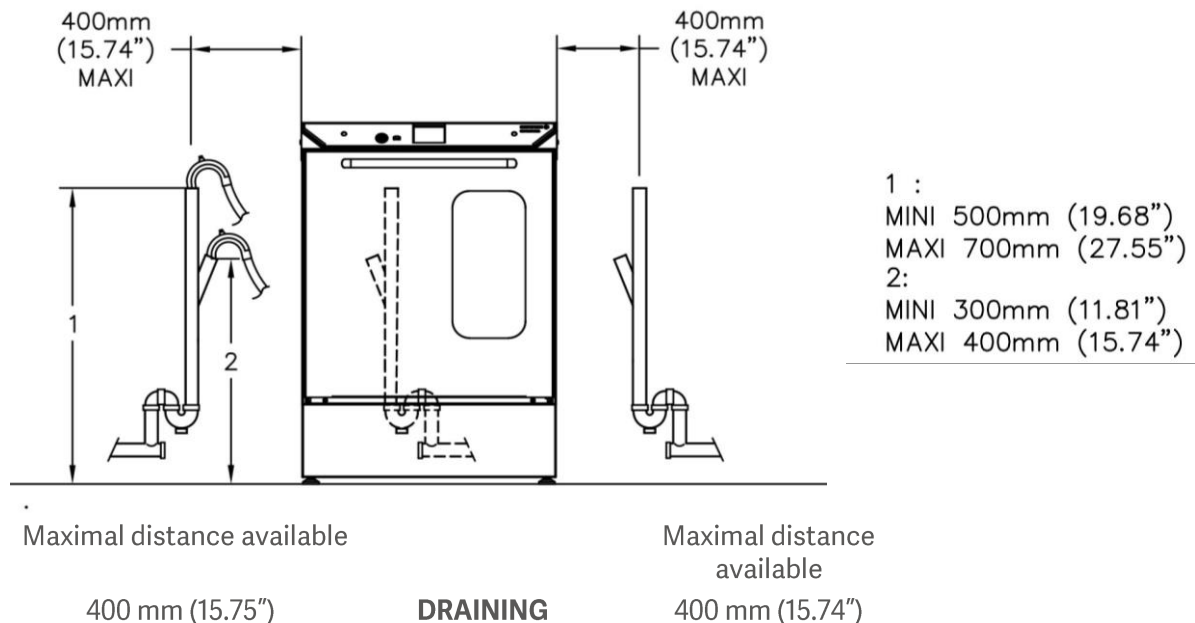
- Height above floor level : from 500 mm (19.68") minimum to 700 mm (27.55") maximum.
- Temperature up to 60°C (140°F).
- With inner tube Ø 40mm (1.6") and capable of accepting a flow of 40 l/min (10.6 GPM).

CONDENSER DRAINING

Provide a fixed standpipe and plumbing trap with :

- Height above floor level : from 300 mm (11.81") minimum to 400 mm (15.74") maximum.
- Temperature up to 60°C (140°F).

With inner tube Ø 40mm (1.6") and capable of accepting a flow of 40 l/min (10.6 GPM).



THE DISCHARGE TUBE MUST BE LOCATED IN THIS AREA.

The discharge tube can be installed to the left, to the right or behind the machine

Only one connection point is required



DO NOT BEND OR CONSTRICT THE TUBE AS THIS COULD STOP OR SLOW DOWN THE FLOW OF WATER.



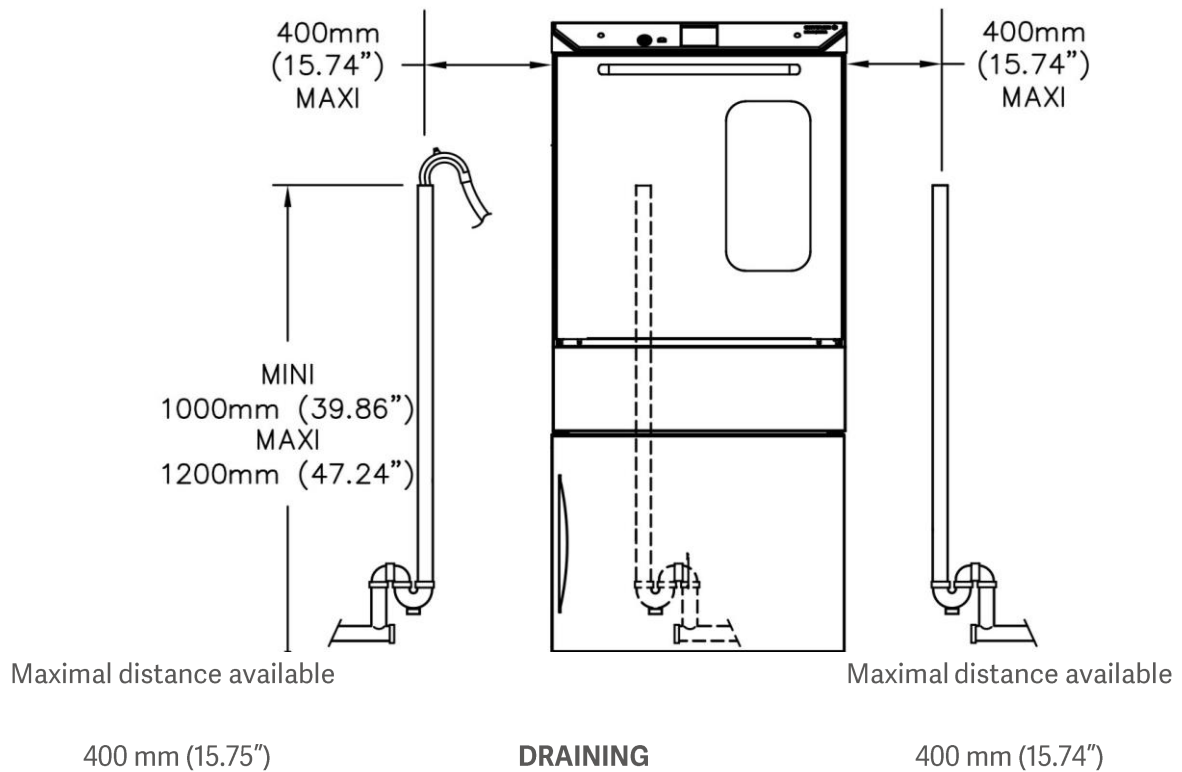
ENSURE THAT THE MINIMUM CLEARANCE REQUIREMENT IS MAINTAINED BETWEEN THE WASHER AND UTILITY CONNECTION POINT.

7.5 810 LX BASE CABINET OPTION (90010196)

DRAINING

Provide a fixed standpipe and plumbing trap with :

- Height above floor level : from 1000 mm (39.36") minimum to 1200 mm (47.24") maximum.
- Temperature up to 95°C (203°F).
- With inner tube \varnothing 40mm (1.6") and capable of accepting a flow of 40 l/min (10.6 GPM).



THE DISCHARGE TUBE MUST BE LOCATED IN THIS AREA.

The discharge tube can be installed to the left, to the right or behind the machine

Only one connection point is required



DO NOT BEND OR CONSTRICT THE TUBE AS THIS COULD STOP OR SLOW DOWN THE FLOW OF WATER.



ENSURE THAT THE MINIMUM CLEARANCE REQUIREMENT IS MAINTAINED BETWEEN THE WASHER AND UTILITY CONNECTION POINT.

7.6 STANDARD 815LX OR 810LX CONDENSER OPTION (90020003) +BASE CABINET OPTION (90010196)

DRAINING

Provide 2 fixed standpipes and plumbing trap with :

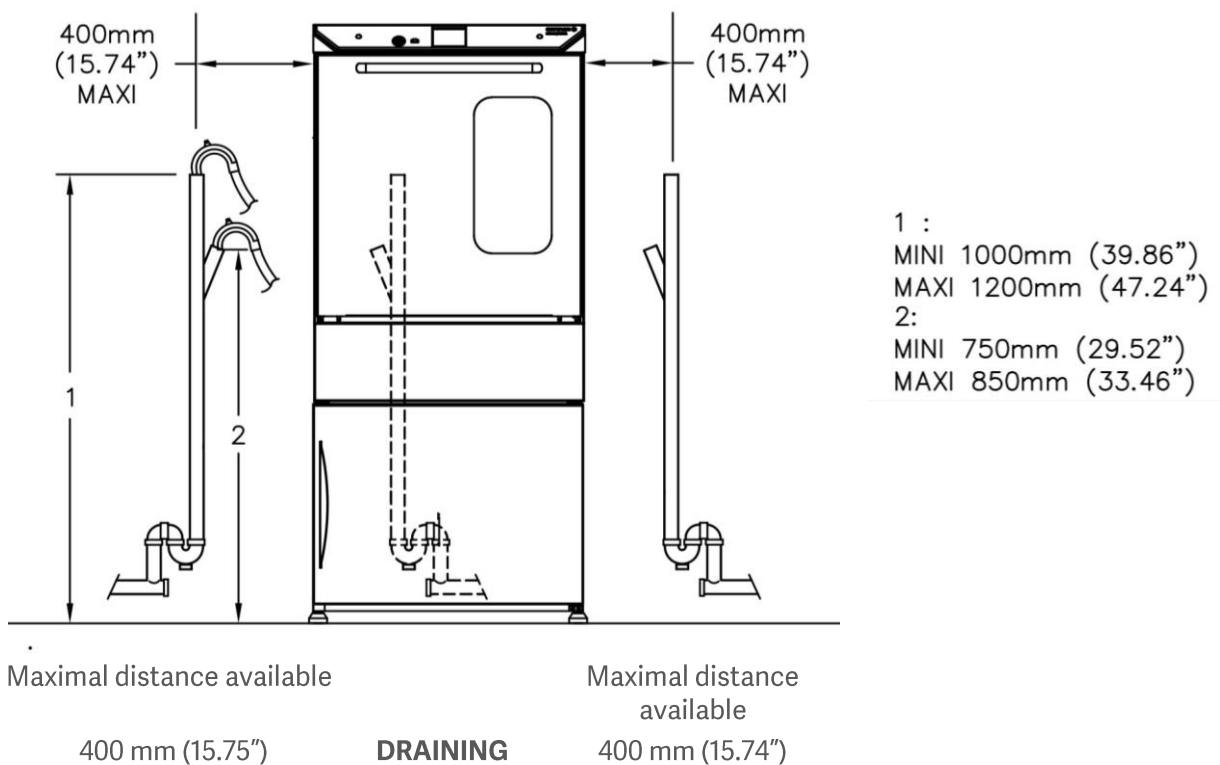
- Height above floor level : from 1000 mm (39.36") minimum to 1200 mm (47.24") maximum.
- Temperature up to 95°C (203°F).
- With inner tube Ø 40mm (1.6") and capable of accepting a flow of 40 l/min (10.6 GPM).

CONDENSER DRAINING

Provide a fixed standpipe and plumbing trap with :

- Height above floor level : from 750 mm (29.52") minimum to 850 mm (33.46") maximum.
- Temperature up to 95°C (203°F).

With inner tube Ø 40mm (1.6") and capable of accepting a flow of 40 l/min (10.6 GPM).



THE DISCHARGE TUBE MUST BE LOCATED IN THIS AREA.

The discharge tube can be installed to the left, to the right or behind the machine

Only one connection point is required



DO NOT BEND OR CONSTRICT THE TUBE AS THIS COULD STOP OR SLOW DOWN THE FLOW OF WATER.



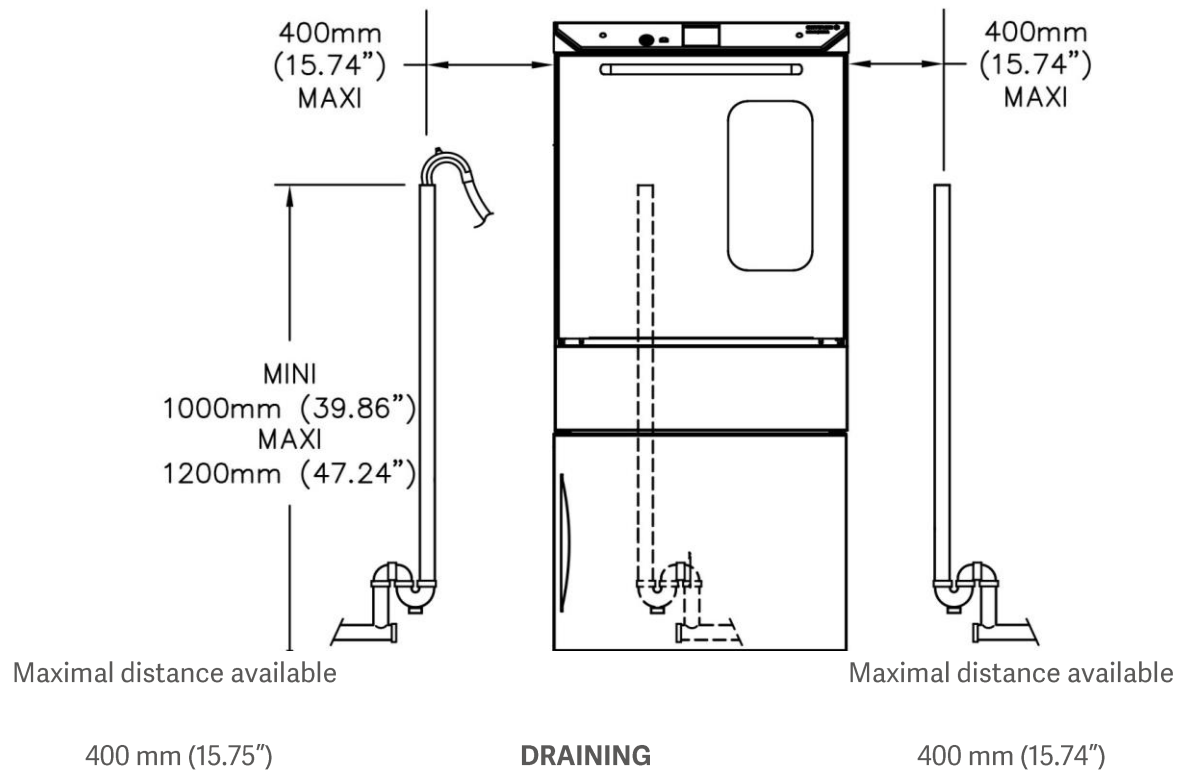
ENSURE THAT THE MINIMUM CLEARANCE REQUIREMENT IS MAINTAINED BETWEEN THE WASHER AND UTILITY CONNECTION POINT.

7.7 810 LX BASE CABINET OPTION (90010196)+ DRAIN COOLING OPTION (90010077)

DRAINING

Provide 2 fixed standpipes and plumbing trap with :

- Height above floor level : from 1000 mm (39.36") minimum to 1200 mm (47.24") maximum.
- Temperature up to 60°C (140°F).
- With inner tube Ø 40mm (1.6") and capable of accepting a flow of 40 l/min (10.6 GPM).



THE DISCHARGE TUBE MUST BE LOCATED IN THIS AREA.

The discharge tube can be installed to the left, to the right or behind the machine

Only one connection point is required



DO NOT BEND OR CONSTRICT THE TUBE AS THIS COULD STOP OR SLOW DOWN THE FLOW OF WATER.



ENSURE THAT THE MINIMUM CLEARANCE REQUIREMENT IS MAINTAINED BETWEEN THE WASHER AND UTILITY CONNECTION POINT.

7.8 STANDARD 815LX OU 810LX OPTION CONDENSEUR (90020003) +BASE CABINET OPTION (90010196) + DRAIN COOLING OPTION (90010077)

DRAINING

Provide 2 fixed standpipes and plumbing trap with :

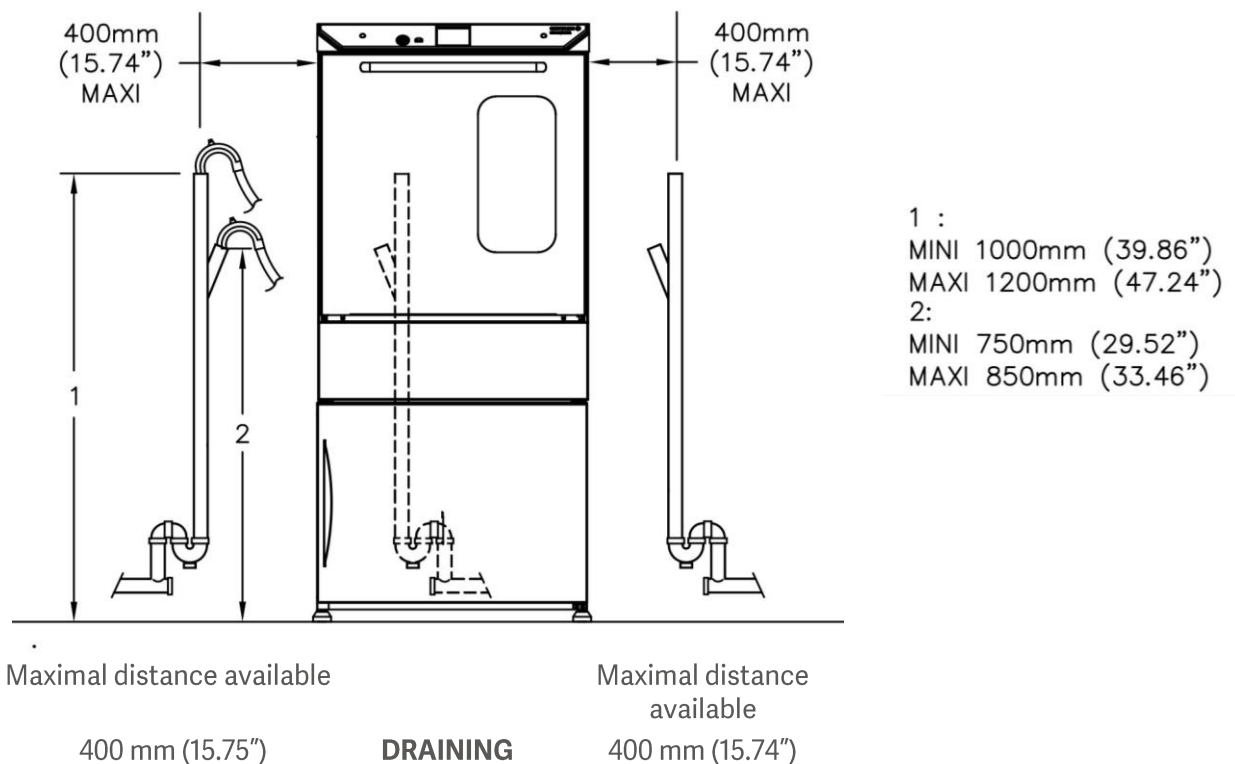
- Height above floor level : from 1000 mm (39.36") minimum to 1200 mm (47.24") maximum.
- Temperature up to 60°C (140°F).
- With inner tube \varnothing 40mm (1.6") and capable of accepting a flow of 40 l/min (10.6 GPM).

CONDENSER DRAINING

Provide a fixed standpipe and plumbing trap with :

- Height above floor level : from 750 mm (29.52") minimum to 850 mm (33.46") maximum.
- Temperature up to 60°C (140°F).

With inner tube \varnothing 40mm (1.6") and capable of accepting a flow of 40 l/min (10.6 GPM).



THE DISCHARGE TUBE MUST BE LOCATED IN THIS AREA.

The discharge tube can be installed to the left, to the right or behind the machine

Only one connection point is required



DO NOT BEND OR CONSTRICT THE TUBE AS THIS COULD STOP OR SLOW DOWN THE FLOW OF WATER.



ENSURE THAT THE MINIMUM CLEARANCE REQUIREMENT IS MAINTAINED BETWEEN THE WASHER AND UTILITY CONNECTION POINT.

8 DISCHARGE OF EXHAUST VAPOR

The machine discharges hot moist air, causing condensation in the exhaust. Horizontal sections of exhaust ducting will require drains at the lowest points.

The machine is equipped with an exhaust fan.

TO AVOID PRESSURE PROBLEMS IN THE CHAMBER, DO NOT BLOCK THE HOT MOIST AIR EXHAUST TUBE.



A DIRECT (HARD PIPE) CONNECTION BETWEEN THE WASHER'S EXHAUST TUBE AND BUILDING EXHAUST SYSTEM IS NOT ALLOWED FOR SAFETY REASONS.

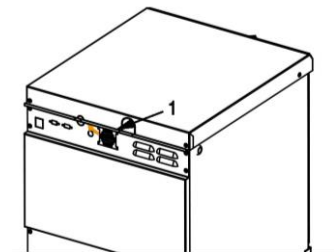
Two solutions are available to extract hot moist air (unless provided with steam condenser option):

8.1 EXTRACTION DIRECTLY INTO THE ROOM

The room must be well ventilated.

Air exhaust tube -1- must be turned as shown.

-1- Hot moist air exhaust tube



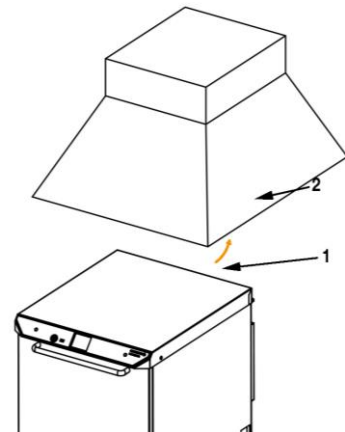
8.2 EXTRACTION WITH AN EXHAUST HOOD

Provide, by others, an exhaust hood placed between 300mm (12") minimum and 1000mm (40") maximum above the washer exhaust tube.

Air exhaust tube -1- must be turned as shown.

-1- Hot moist air exhaust tube

2- Exhaust hood



810 LX

Characteristics:

- Air flow : 60 m³/H (35 CFM)
- Maximum temperature : 95°C (203°F)
- Maximum relative humidity : 85%

815 LX OU 810 LX CONDENSER OPTION

Characteristics:

- Air flow : 60 m³/H (35 CFM)
- Maximum temperature : 60°C (140°F)
- Maximum relative humidity : 70%

9 WASHING PRODUCTS

The washing and operational performance of the washer has been validated with the GETINGE LANCER line of cleaning chemicals. The use of GETINGE LANCER cleaning chemicals guarantees good results and long life of your machine.

9.1 GETINGE LANCER LLL DETERGENT

GETINGE LANCER LLL DETERGENT is particularly adapted to the washing of laboratory glass-ware

- Use in machine Specially formulated for use in all disciplines within laboratories
- Producing high quality and analytically clean results
- Phosphate free and fully biodegradable
- Without risk over the aluminium, the plastic and the rubber
- Available in container of 10 liters
- Ref: LLL
- Dose of 6-10 ml per liter (water hardness values between 200 and 400 ppm)



9.2 GETINGE LANCER NLL NEUTRALISANT

GETINGE LANCER NLL NEUTRALISANT is particularly adapted to the final rinse of laboratory glass-ware.

- Use in machine. For the final rinse of the glass-ware
- Mostly used with laboratory washers
- Acetic acid based
- Available in container of 10 liters
- Ref: NLL
- Dose of 5 ml per liter



Contact your local distributor for washing products and application specific solutions.

10 INSTALLATION OF THE WASHING PRODUCTS

The chemical suction diptubes are identified by the following labels :

10.1 STANDARD

10.1.1 NON-FOAMING DETERGENT



Place a container of NON-FOAMING LIQUID DETERGENT next to the washer at a maximum height of 150 mm (6") above floor level. Remove the cap from the detergent container and insert the detergent suction tube into the detergent container. Tighten the cap.

IT IS STRICTLY PROHIBITED TO USE SOLVENTS AS DETERGENT.

PLEASE REFER TO SUPPLIERS MATERIAL SAFETY DATA SHEET FOR SPECIFIC INFORMATION REGARDING THE DETERGENT TO BE USED IN THIS MACHINE.

10.1.2 NEUTRALIZING ACID



Place a container of NEUTRALIZING ACID next to the washer at a maximum height of 150 mm (6") above floor level. Remove the cap from the acid container and insert the acid suction tube into the acid container. Tighten the cap.

THE USE OF NITRIC AND CHLORHYDRIC ACID IS PROHIBITED. ONLY DILUTE PHOSPHORIC, ACETIC AND CITRIC ACIDS CAN BE USED.

PLEASE REFER TO SUPPLIERS MATERIAL SAFETY DATA SHEET FOR SPECIFIC INFORMATION REGARDING THE ACID TO BE USED IN THIS MACHINE.

10.2 BASE CABINET OPTION (90010196)

10.2.1 NON-FOAMING DETERGENT



Place a container of NON-FOAMING LIQUID DETERGENT inside the drawer. Remove the cap from the detergent container and insert the detergent suction tube into the detergent container. Tighten the cap.

IT IS STRICTLY PROHIBITED TO USE SOLVENTS AS DETERGENT.

PLEASE REFER TO SUPPLIERS MATERIAL SAFETY DATA SHEET FOR SPECIFIC INFORMATION REGARDING THE DETERGENT TO BE USED IN THIS MACHINE.

10.2.2 NEUTRALIZING ACID



Place a container of NEUTRALIZING ACID inside the drawer. Remove the cap from the acid container and insert the acid suction tube into the acid container. Tighten the cap.

THE USE OF NITRIC AND CHLORHYDRIC ACID IS PROHIBITED. ONLY DILUTE PHOSPHORIC, ACETIC AND CITRIC ACIDS CAN BE USED.

PLEASE REFER TO SUPPLIERS MATERIAL SAFETY DATA SHEET FOR SPECIFIC INFORMATION REGARDING THE ACID TO BE USED IN THIS MACHINE.

GETINGE LANCER supply,

LIQUID DETERGENT reference "LLL" in container of 10 liters.

LIQUID NEUTRALISANT reference "NLL" in container of 10 liters.

Dimensions of 10 liters containers : 200 x 230 x 320 mm.



BEFORE CARRYING OUT ANY WORK ON THE WASHER, MAKE SURE IT IS SWITCHED OFF AT THE DISCONNECTING SWITCH.

11 PRECAUTIONS BEFORE USING YOUR WASHER



NEVER USE YOUR WASHER WITHOUT PRIOR TRAINING.

Your washer is now properly positioned and installed.

You must read user manual in order to learn how the washer operates.

All personnel using the washer () must have received complete training on use.

This training must be carried out on a regular basis and always before the washer is used for the first time.

A record of this training must be stored as evidence that the users attended and understood the contents of the course.

Training should include:

- How the washer functions
- How to load items on the baskets
- The use of the different processing programs
- Review of alarms and the procedure to follow in case of alarm
- Everyday maintenance of the washer (cleaning of external parts, filters...)
- Knowledge of the chemical products utilized
- Management of consumables (change of paper, product containers...)
- The different levels of traceability (if applicable)

GETINGE 



Manufacturer:
30, Bd de l'Industrie
Zone industrielle Pahin Concerto
31170 Tournefeuille - France

www.getinge.com